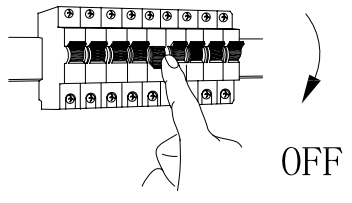
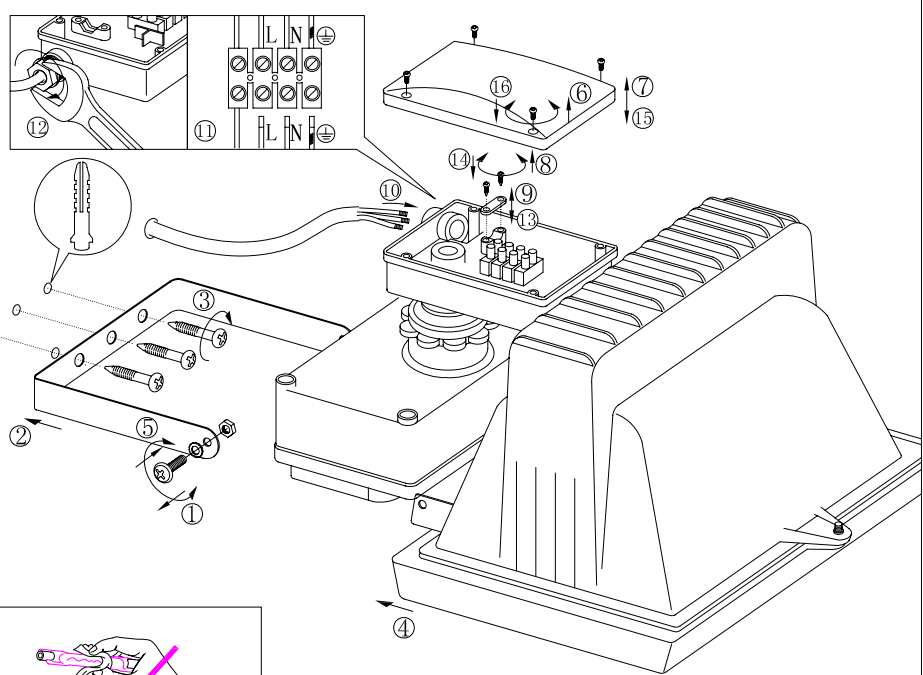
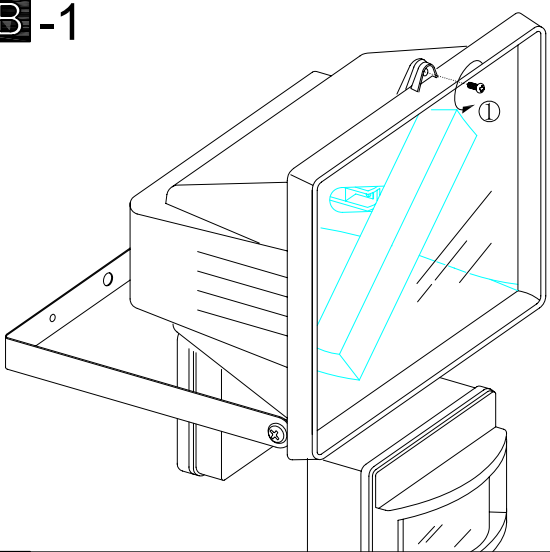
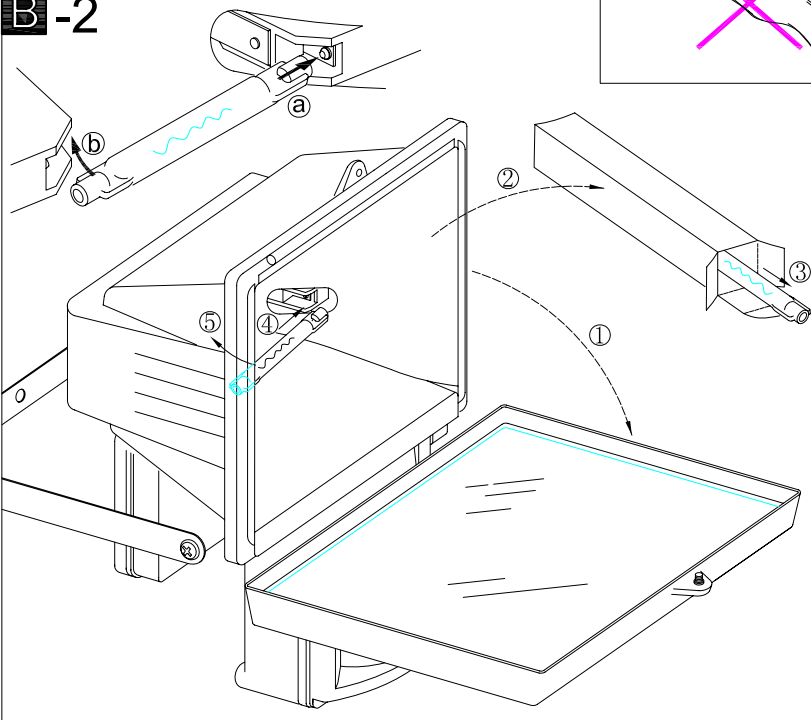
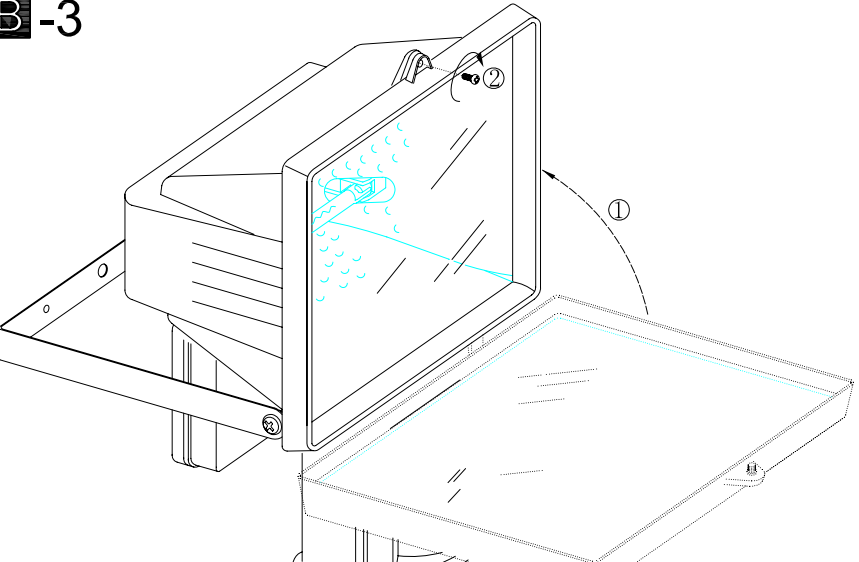
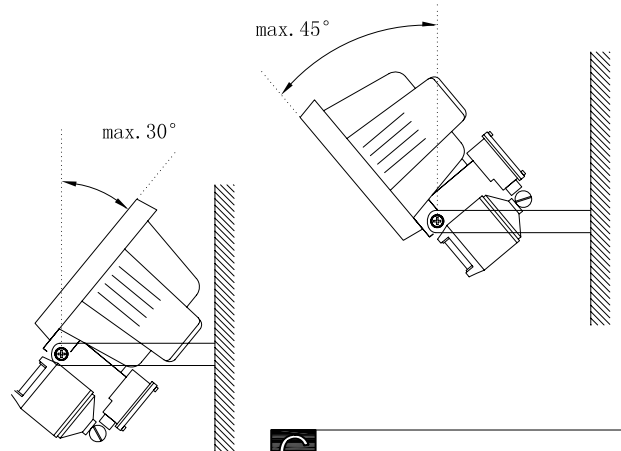
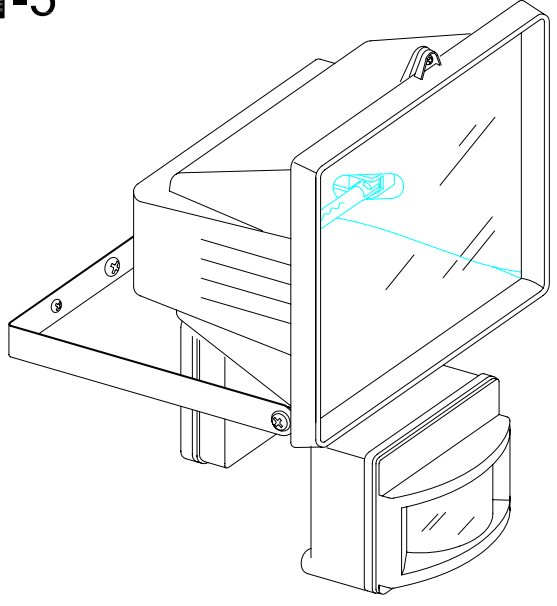
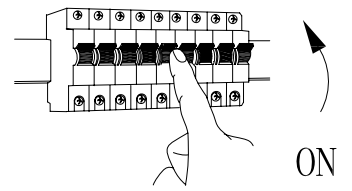


**A****B -4****B -1****B -2****B -3****B -5****C**

TIME DAYLIGHT SENS

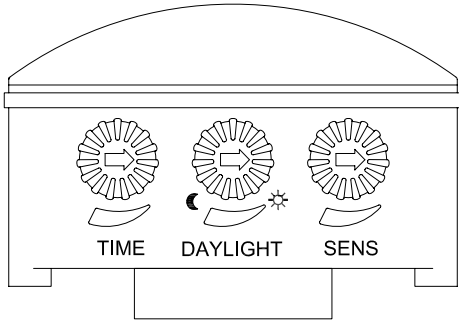


Fig1

TOP VIEW

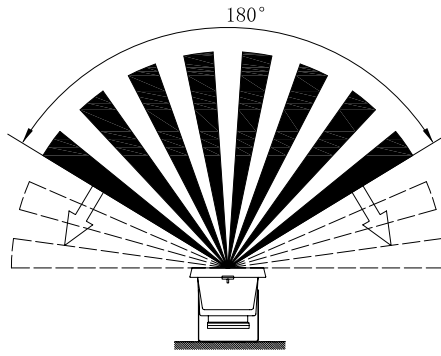


Fig2

GOOD SENSITIVITY

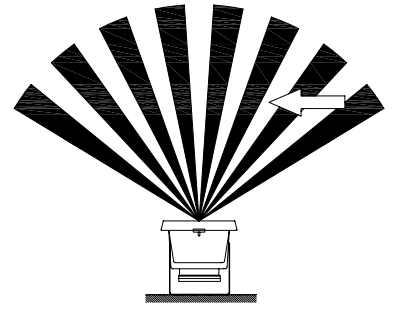


Fig3

SIDE VIEW

BLA88813

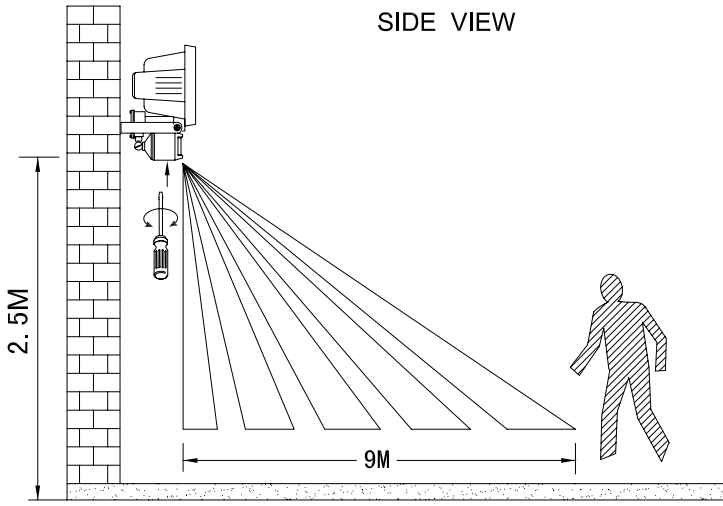


Fig4

POOR SENSITIVITY

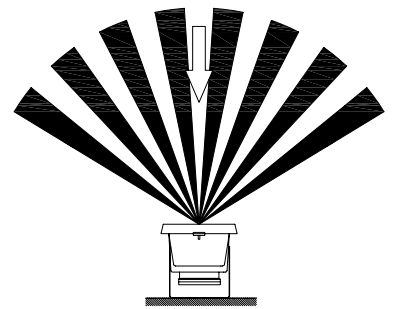


Fig5